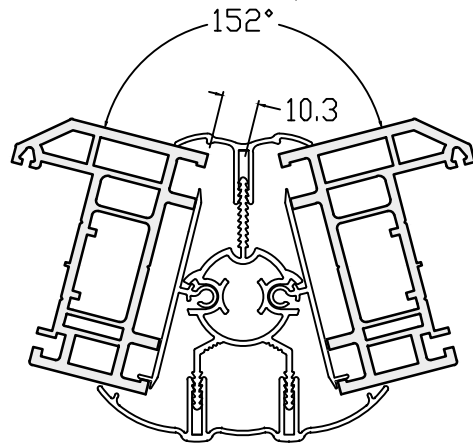


From this point note the Frame adapter has been switched so that the positive location is the opposite leg.



Deductions for 482054 using 482028 for 70mm frame

Angle	Deduction	Trim
124	4.7	DBI
126	5.3	DBI
128	5.9	DBI
130	6.4	DBI
132	7	DBI
134	7.5	DBI / PILDT
136	8.1	DBI / PILDT
138	8.6	DBI / PILDT
140	9.2	DBI / PILDT
142	9.7	DBI / PILDT
144	10.2	DBI / PILDT
146	10.8	DBI / PILDT
148	11.3	DBI / PILDT
150	11.8	DBI / PILDT
152	10.3	DBI
154	11	DBI
156	11.6	DBI
158	12.3	DBI
160	13	DBI
162	13.7	DBI
164	14.4	DBI
166	15	DBI / PILDT
168	15.7	DBI / PILDT
170	16.4	DBI / PILDT
172	17	DBI / PILDT
174	17.7	PILDT
176	18.4	PILDT